



SERVICE PARTS LIST

BULLETIN NO.
54-26-1675

SPECIFY CATALOG NO. AND SERIAL NO. WHEN ORDERING PARTS		REVISED BULLETIN	DATE
CORDLESS 12 VOLT IMPACT DRIVER			Feb. 2003
CATALOG NO.	9058-1	STARTING SERIAL NO.	855A
		WIRING INSTRUCTION 58-01-1615	

EXAMPLE:

00 σ Component Parts (Small #) Are Included
When Ordering The Assembly (Large #).

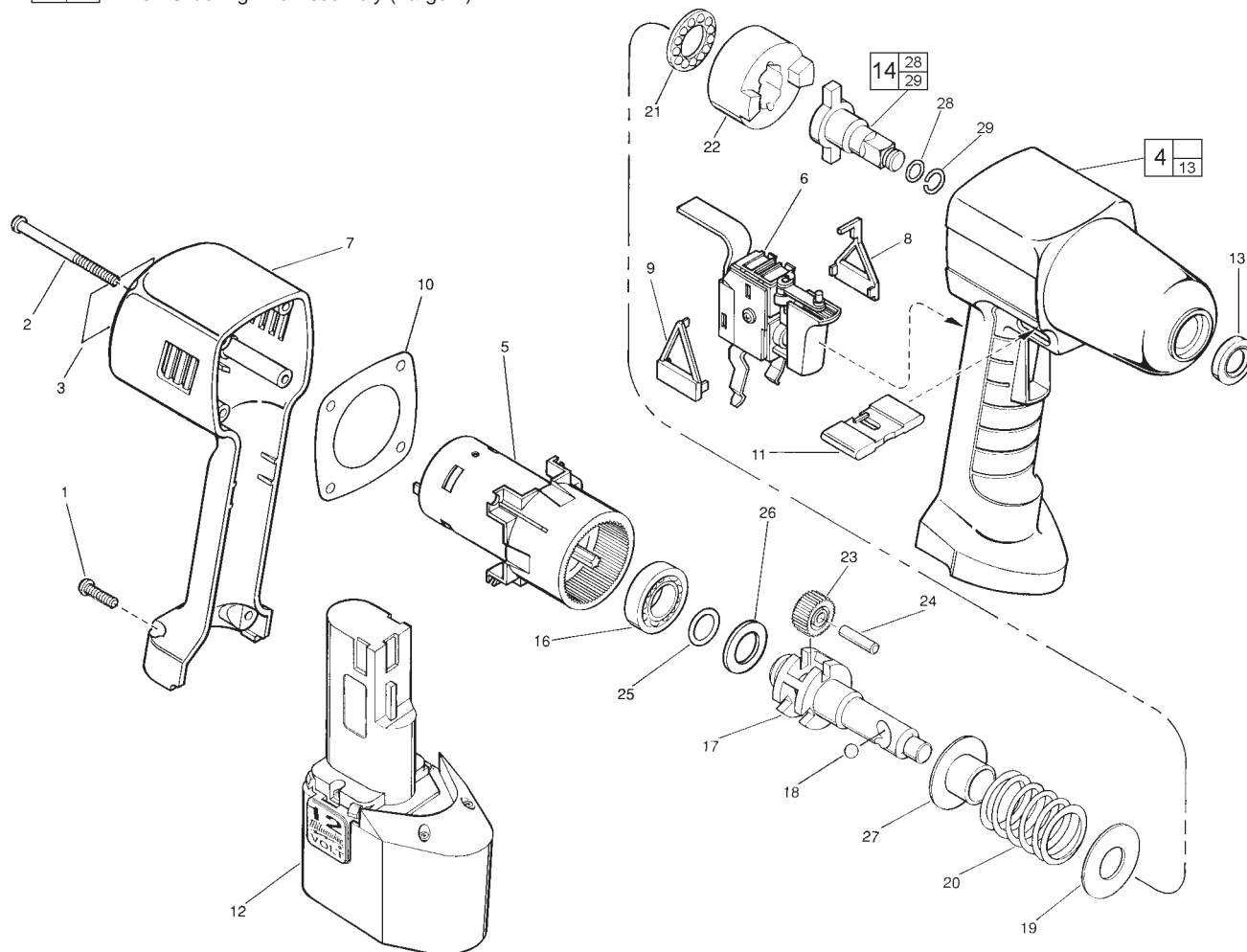


FIG.	PART NO.	DESCRIPTION OF PART	NO. REQ.	FIG.	PART NO.	DESCRIPTION OF PART	NO. REQ.
1	06-82-9220	Pan Hd. Slit. T-20 PT Screw	(2)	23	32-62-0060	Planet Gear	(3)
2	06-82-9279	Pan Hd. Slit. T-20 PT Screw	(2)	24	06-65-0040	Pin	(3)
3	10-15-0180	Warning Label	(1)	25	34-40-4420	O-Ring	(1)
4	14-38-0655	Front Housing Assembly	(1)	26	45-88-8705	Washer	(1)
5	14-50-0171	12 Volt Motor Assembly	(1)	27	43-34-0750	Spring Flange	(1)
6	23-66-2310	Switch	(1)	28	34-40-0210	O-Ring	(1)
7	31-15-0470	Handle Cover	(1)	29	34-60-0620	Retaining Ring	(1)
8	31-51-0110	Switch Mount - Left	(1)		12-20-1165	Service Nameplate Kit	(1)
9	31-51-0120	Switch Mount - Right	(1)		10-15-1130	Logo Label	(1)
10	42-14-0410	Baffle	(1)				
11	43-62-1110	Reversing Shuttle	(1)				
12	-----	12 Volt Battery - Select From Catalog	(1)				
13	45-06-0640	Seal	(1)				
14	42-06-0130	Anvil Assembly	(1)				
16	02-04-1510	Ball Bearing	(1)				
17	38-50-0030	Ram Spindle	(1)				
18	02-02-1205	7/32" Steel Ball	(2)				
19	45-88-0110	Washer	(1)				
20	40-50-0140	Spring	(1)				
21	02-80-0140	Thrust Bearing	(1)				
22	44-82-0060	Ram	(1)				

MILWAUKEE ELECTRIC TOOL CORPORATION
13135 W. LISBON RD., BROOKFIELD, WI 53005